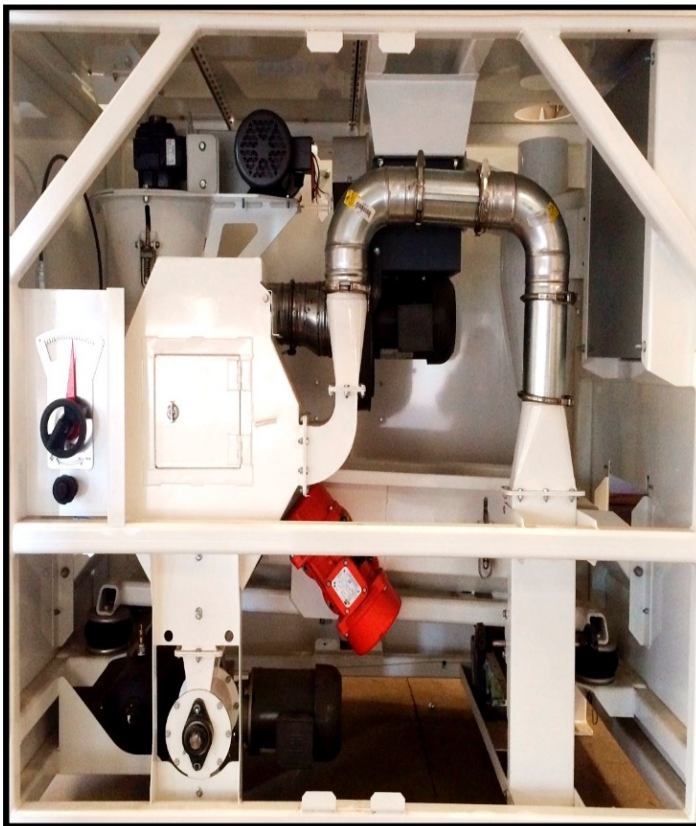


JESSEE



EQUIPMENT MANUFACTURING
CHICO, CA

Mini Huller Sheller



With a few minor changes and adjustments the **Mini Huller/Sheller** can process:

Pistachios
Hazelnuts
Pine Nuts

Almonds
Walnuts
Pecans



Our Most Compact Affordable Mobile Solution

We have designed and built a very small, compact and easy to run HULLER—SHELLER capable of doing a wide variety of products. With input capacities of 100 to 140 kg. per hour, it is the perfect size for roadside sales, small acreages, and test labs for sampling. The unit will easily fit in a pickup or a small trailer.

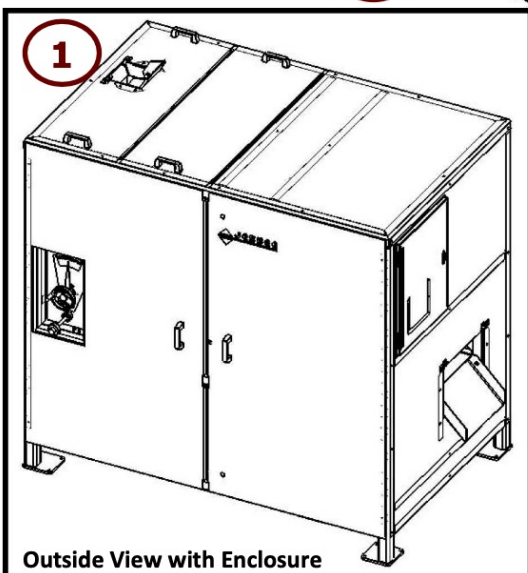
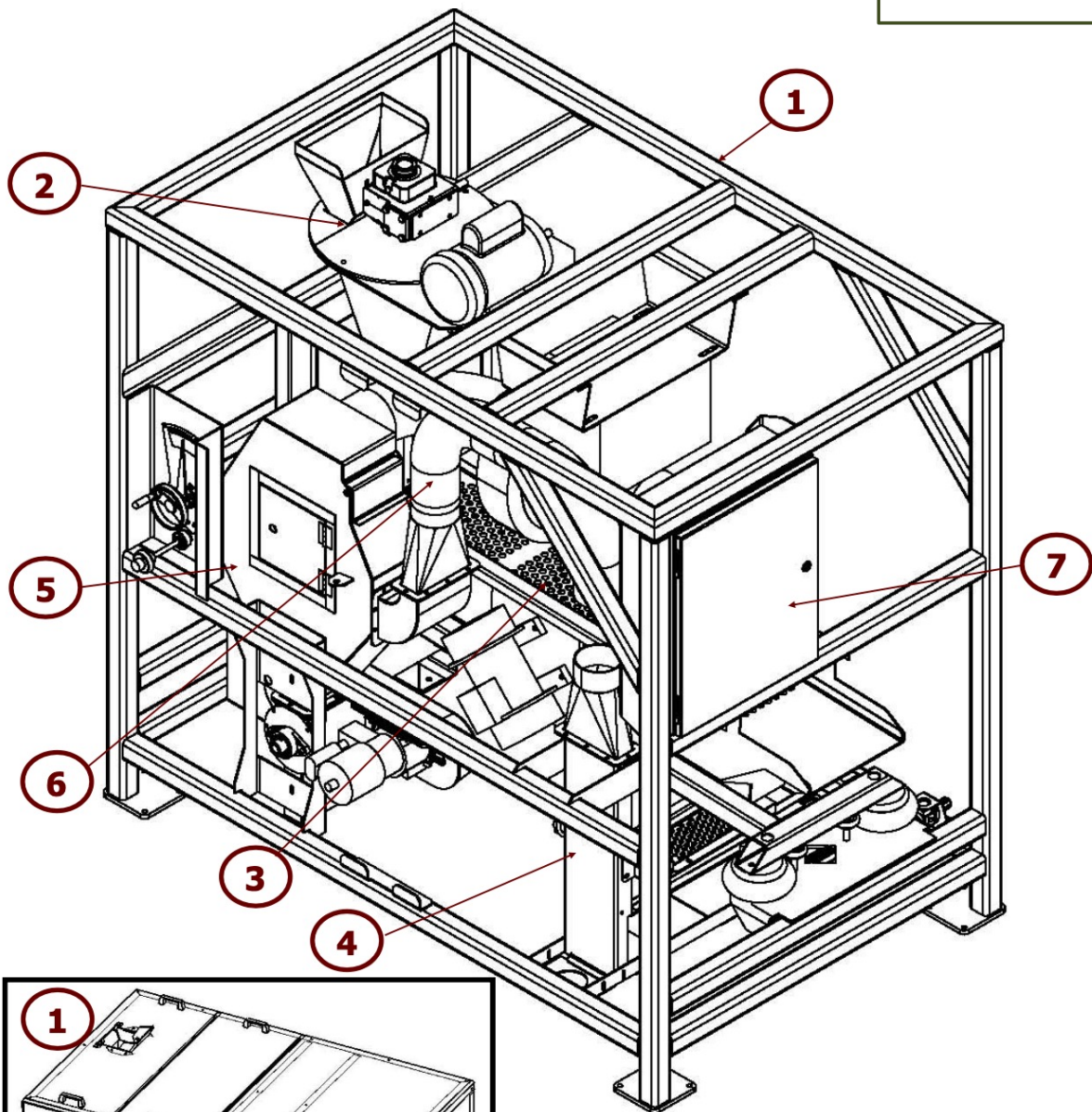
Nisão-NutVision
Lisbon, Portugal
Malaga, Spain
Istanbul, Turkey

Distributing Full Line of Jessee Nut Processing Lines accross Europe

Contact us at:
jessee@nisao.pt
+351 910 013 232
+90 532 526 1616

Visit us at: www.nisao.pt

Mini Huller Sheller



Description of Equipment	
1	Mini Huller-Sheller Unit Includes:
2	All Nut Cracker, Model 1200
3	Sizing Deck
4	Venturi with Hopper and Feed Pan
5	Remote Off Fall Tank w/Airlock Discharge
6	Ducting & Blower for Aspirator
7	Control Panel

Input Power Options:
 -208/230V/3Ph/50Hz
 -190/308V/3Ph/50Hz
 -220V/1Ph/50Hz